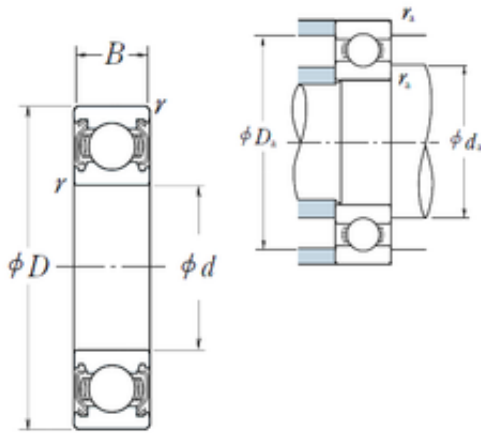




NTN Bearing Driveshaft do Brasil



Japan 6205ZZ NSK deep groove ball bearing
6205Z motor bearing 6205-2Z

Bearing No. 6205ZZ

6205ZZ Bearing 2D drawings and 3D CAD models

Size	25x52x15 mm
Bore Diameter	25 mm
Outer Diameter	52 mm
Width	15 mm
d	25 mm
D	52 mm
B	15 mm
C	15 mm
r min.	1 mm
da min.	30 mm
da max	32 mm
Da max.	47 mm
ra max.	1 mm
Weight	0,129 Kg
Basic dynamic load rating (C)	14 kN
Basic static load rating (C0)	7,85 kN
(Grease) Lubrication Speed	13 000 r/min
Category	Single Row Ball Bearings
Inventory	40.0
Manufacturer Name	NSK
Minimum Buy Quantity	N/A
Weight / Kilogram	0.129
EAN	0029176014406
Product Group	B00308
Enclosure	2 Metal Shields



NTN Bearing Driveshaft do Brasil

Precision Class	ABEC 1 ISO P0
Maximum Capacity / Filling Slot	No
Rolling Element	Ball Bearing
Snap Ring	No
Internal Special Features	No
Cage Material	Steel
Internal Clearance	C0-Medium
Inch - Metric	Metric
Long Description	25MM Bore; 52MM Outside Diameter; 15MM Outer Race Diameter; 2 Metal Shields; Ball Bearing; ABEC 1 ISO P0; No Filling Slot; No Snap Ring; No Internal Special Features
Category	Single Row Ball Bearing
UNSPSC	31171504
Harmonized Tariff Code	8482.10.50.68
Noun	Bearing
Keyword String	Ball
Manufacturer URL	http://www.nskamericas.com
Manufacturer Item Number	6205ZZ
Weight / LBS	0.23
Bore	0.984 Inch 25 Millimeter
Outer Race Width	0.591 Inch 15 Millimeter
Outside Diameter	2.047 Inch 52 Millimeter
bore diameter:	25 mm
static load capacity:	7850 N
outside diameter:	52 mm
precision rating:	Not Rated
overall width:	15 mm
finish/coating:	Uncoated
bore type:	Round



NTN Bearing Driveshaft do Brasil

cage material:	Steel
closure type:	Double Shielded
outer ring width:	15 mm
row type & fill slot:	Single Row Non-Fill Slot
fillet radius:	1 mm
internal clearance:	C0
maximum rpm:	15000 RPM
operating temperature range:	-10 to +110 ° C
series:	62
dynamic load capacity:	14000 N
SRI	4.01
hidYobi	6205ZZ
LangID	1
D_	52
SREX	0.04
B_	15
da min	30
hidTable	ecat_NSRDGB
SRE	4.21
mass	0.129
GRS rpm	13000
ra	1
SRIX	0.02
D_a	47
SRIN	0
C0	7.85
fo	13.9
SREN	0
DE_	46.938
Prod_Type3	DGBB_SR_ZZ
DA_	7.938



NTN Bearing Driveshaft do Brasil

bomp	0
Z_	9
yobi	6205ZZ
C_conv	14000
ALPHA_	0
SDM_	39
r	1
KBRG	6141
SBRG	2
DI_	31.062